

Air Conditioning

Product Information

PLA-RP50BA : Standard Inverter Heat Pump

R410A 4-Way Blow Ceiling Cassette System



Our standard inverter range offers customers all the features and benefits of inverter technology whilst being cost effective.



FEATURES



INDOOR

Heating Capacity (kW) (nominal)	6.0 (0.9 - 7.2)
Cooling Capacity (kW) (nominal)	5.5 (1.1 - 5.6)
Heating Capacity (kW) (UK)	5.0 (0.75 - 6)
Cooling Capacity (kW) (UK)	5.45 (1.1 - 5.55)
SHF (nominal and UK)	0.81
COP / EER (nominal)	3.43 / 3.22
SCOP / SEER	3.9 / 5.2
Energy Efficiency Class - Heating / Cooling	A / A
Pipe Size Gas (mm [in])	12.7 (1/2")
Pipe Size Liquid (mm [in])	6.35 (1/4")
Airflow (m³/min) Lo-Mi-Mi2-Hi	12 - 14 - 16 - 18
Sound Pressure Level (dBA) Lo-Mi-Mi2-Hi	28 - 29 - 31-32
Sound Power Level (dBA) Cooling	55
Dimensions (mm) Width x Depth x Height	840(950) x 840(950) x 258(35)
Weight (kg) Unit / grille	22 / 6
Electrical Supply	FED BY OUTDOOR UNIT
Phase	SINGLE
Fuse Rating (BS88) - HRC (A)	6
Interconnecting Cable No. Cores	4

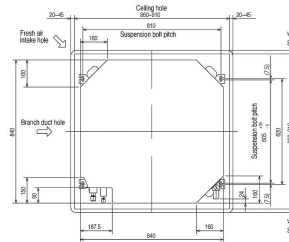
OUTDOOR

Sound Pressure Level (dBA) Heating / Cooling	52 / 52
Sound Power Level (dBA) Cooling	65
Weight (kg)	54
Dimensions (mm) Width x Depth x Height	840 x 330 x 880
Electrical Supply	220-240V, 50HZ
Phase	SINGLE
System Power Input (kW) - Heating / Cooling (nominal)	1.75 / 1.71
System Power Input (kW) - Heating / Cooling (UK)	1.59 / 1.37
Starting Current (A)	7.57
System Running Current (A) [MAX] - Heating / Cooling	6.97 / 6.78 [12.4]
Fuse Rating (BS88) - HRC (A)	20
Mains Cable No. Cores	3
Max Pipe Length (m)	30
Max Height Difference (m)	30
Charge R410A (kg) - Pre charged length (m)	1.45 - 30

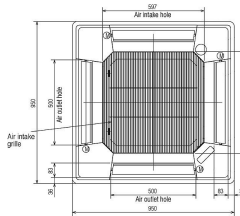
DIMENSIONS

PLA-RP50BA

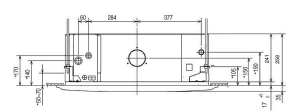
Upper View >



Front View >



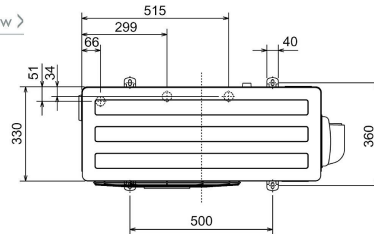
Side View >



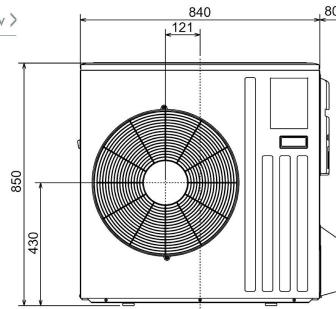
DIMENSIONS

SUZ-KA50VA3

Upper View >



Front View >



Side View >

